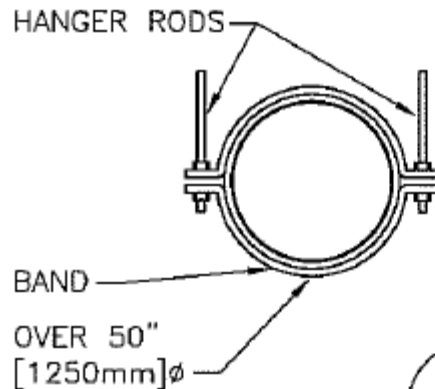
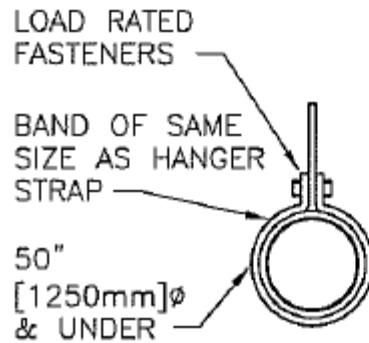




1700 S. Lewis Street, Anaheim CA 92805 – (714) 385-8900
 1650 Parkway Blvd, West Sacramento CA 95691 – (916) 492-8900
 800 S. Milliken Ave. , Suite D, Ontario CA 91761 – (909) 937-2403
 9520 Chesapeake Drive, Suite 608, San Diego CA 92123 – (858) 503-0591
 7045 West Galveston Street, Suite 11, Chandler AZ 85226 – (480) 940-5569
 6875 West Galveston Street, Chandler AZ 85226 - (480) 785-0248
 Toll Free: Anaheim (888) 444-3828, Sacramento (888) 544-3828, Arizona (888) 940-3828



HANGER STRAPS OR RODS			
MAX. DUCT ϕ IN. [mm]	QUANTITY/SIZE IN. [mm]	MAX. LOAD LBS. [kg]	MAX. SPACING IN. [mm]
26 [650]	ONE 1 [25] x 22 GA STRAP	260 [119]	144 [3600]
36 [900]	ONE 1 [25] x 18 GA STRAP	420 [190]	144 [3600]
50 [1250]	ONE 1 [25] x 16 GA STRAP	700 [317]	144 [3600]
60 [1500]	TWO 3/8 [10] ϕ . RODS	1320 [598]	144 [3600]
84 [2100]	TWO 1/2 [13] ϕ RODS	2500 [1133]	144 [3600]

NOTE:
 TABULATED DATA FROM SMACNA
 ALLOWS FOR DUCT REINFORCING AND
 INSULATION, BUT NO EXTERNAL LOAD.



ROUND DUCT HANGERS

NTS

DESIGNER'S NOTE:
 DESCRIBE OR DETAIL UPPER ATTACHMENTS APPLICABLE TO PARTICULAR PROJECTS.